

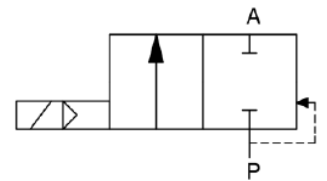
Normal position NC
Housing Brass (CW614N)
Ambient temperature -10 °C to 50 °C
Medium temperature -10 °C to 100 °C (FPM)
-20 °C to 85 °C (NBR)

Mounting position Solenoid preferably in upright position
Protection IP IP 65 (with connector socket fitted)
Electrical connection Connector socket, industrial standard type A –

Voltage tolerance ± 10% acc. VDE 0580
Power

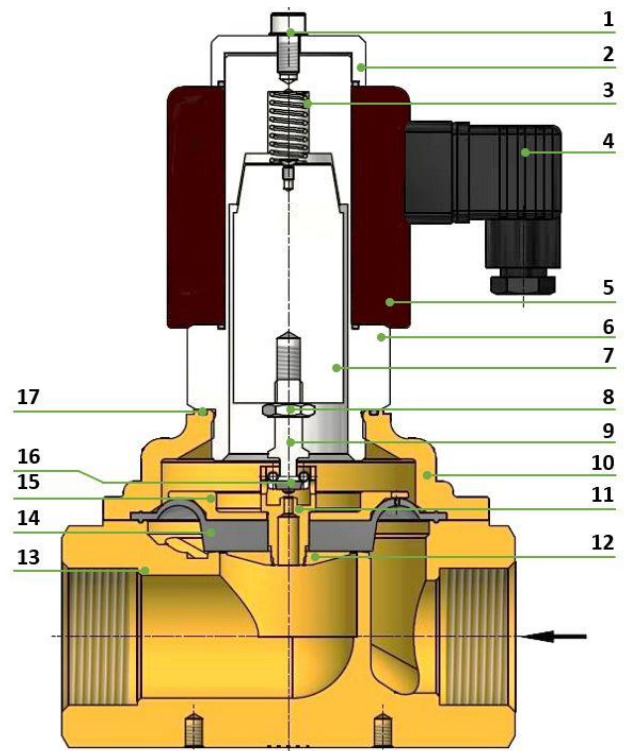
230V 50Hz: 20VA
110V AC: 17.6VA
24V DC: 20VA
24V AC: 18.5W
12V DC: 33W
100% ED

Duty cycle



Materials

No.	Part	Material
1	Screw	Galvanised steel
2	Cover	Aluminium
3	Spring	Stainless steel
4	Connector socket	Plastic
5	Solenoid	Powder coated steel
6	Guide tube	Stainless steel
7	Plunger	Stainless steel
8	Nut	Stainless steel
9	Pilot spindle	Stainless steel
10	Flange	Brass
11	Nozzle	Brass
12	Nut	Brass
13	Housing	Brass
14	Diaphragm	FPM/NBR
15	Support disc	Brass
16	Sealing plug	FPM/NBR
17	O-Ring	FPM/NBR



P 3-546 e

2/2-way solenoid valves

combined operation
 professional standard series
 Art. No. 129404 to 129469

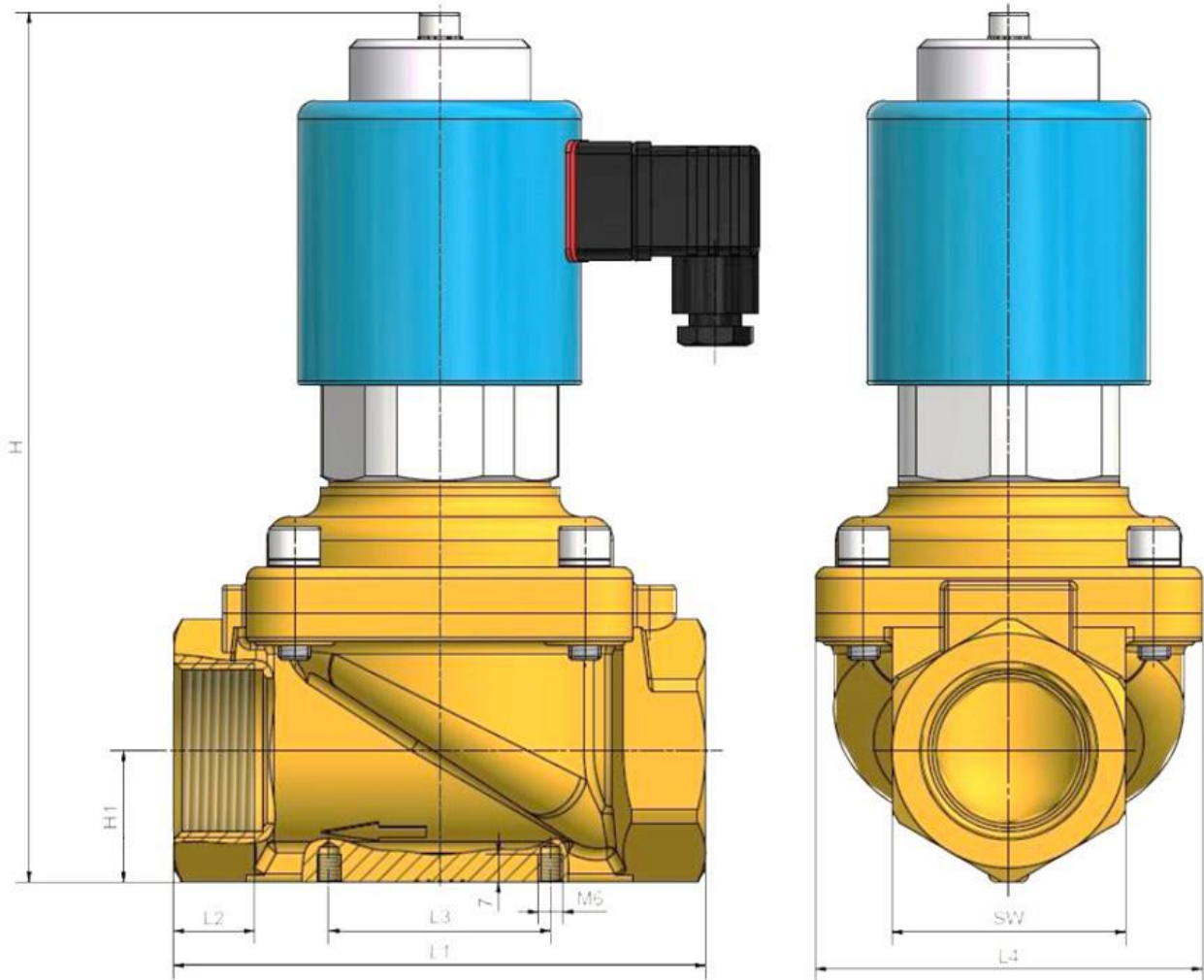


Solenoid valve, normally closed, combined operation, alternating current

Art. No.	Type No.	Thread	DN	Voltage	Sealant	Operating pressure bar	Flow rate m ³ /h
129404	MVA.114.MS.230.F.RZ.32	G 1 1/4	32	230V AC	FPM	0 - 12	16.9
129418	MVA.114.MS.24A.F.RZ.32	G 1 1/4	32	24V AC	FPM	0 - 12	16.9
129425	MVA.114.MS.110.F.RZ.32	G 1 1/4	32	110V AC	FPM	0 - 12	16.9
129439	MVA.114.MS.230.N.RZ.32	G 1 1/4	32	230V AC	NBR	0 - 12	16.9
129453	MVA.114.MS.24A.N.RZ.32	G 1 1/4	32	24V AC	NBR	0 - 12	16.9
129460	MVA.114.MS.110.N.RZ.32	G 1 1/4	32	110V AC	NBR	0 - 12	16.9
129405	MVA.112.MS.230.F.RZ.40	G 1 1/2	40	230V AC	FPM	0 - 12	19.4
129419	MVA.112.MS.24A.F.RZ.40	G 1 1/2	40	24V AC	FPM	0 - 12	19.4
129426	MVA.112.MS.110.F.RZ.40	G 1 1/2	40	110V AC	FPM	0 - 12	19.4
129440	MVA.112.MS.230.N.RZ.40	G 1 1/2	40	230V AC	NBR	0 - 12	19.4
129454	MVA.112.MS.24A.N.RZ.40	G 1 1/2	40	24V AC	NBR	0 - 12	19.4
129461	MVA.112.MS.110.N.RZ.40	G 1 1/2	40	110V AC	NBR	0 - 12	19.4
129406	MVA.2.MS.230.F.RZ.50	G 2	50	230V AC	FPM	0 - 12	34.6
129420	MVA.2.MS.24A.F.RZ.50	G 2	50	24V AC	FPM	0 - 12	34.6
129427	MVA.2.MS.110.F.RZ.50	G 2	50	110V AC	FPM	0 - 12	34.6
129441	MVA.2.MS.230.N.RZ.50	G 2	50	230V AC	NBR	0 - 12	34.6
129455	MVA.2.MS.24A.N.RZ.50	G 2	50	24V AC	NBR	0 - 12	34.6
129462	MVA.2.MS.110.N.RZ.50	G 2	50	110V AC	NBR	0 - 12	34.6

Solenoid valve, normally closed, combined operation, direct current

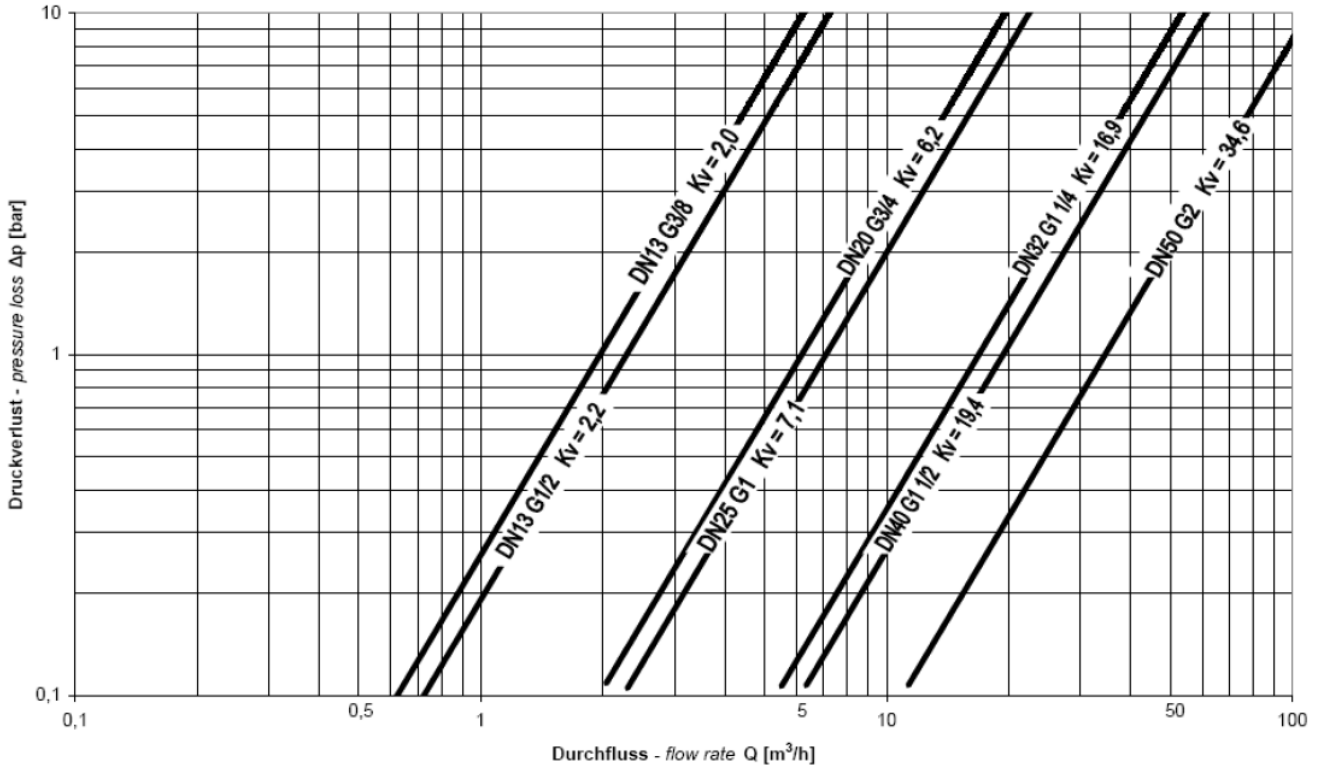
Art. No.	Type No.	Thread	DN	Voltage	Sealant	Operating pressure bar	Flow rate m ³ /h
129411	MVA.114.MS.24D.F.RZ.32	G 1 1/4	32	24V DC	FPM	0 - 12	16.9
129432	MVA.114.MS.12.F.RZ.32	G 1 1/4	32	12V DC	FPM	0 - 12	16.9
129446	MVA.114.MS.24D.N.RZ.32	G 1 1/4	32	24V DC	NBR	0 - 12	16.9
129467	MVA.114.MS.12.N.RZ.32	G 1 1/4	32	12V DC	NBR	0 - 12	16.9
129412	MVA.112.MS.24D.F.RZ.40	G 1 1/2	40	24V DC	FPM	0 - 12	19.4
129433	MVA.112.MS.12.F.RZ.40	G 1 1/2	40	12V DC	FPM	0 - 12	19.4
129447	MVA.112.MS.24D.N.RZ.40	G 1 1/2	40	24V DC	NBR	0 - 12	19.4
129468	MVA.112.MS.12.N.RZ.40	G 1 1/2	40	12V DC	NBR	0 - 12	19.4
129413	MVA.2.MS.24D.F.RZ.50	G 2	50	24V DC	FPM	0 - 12	34.6
129434	MVA.2.MS.12.F.RZ.50	G 2	50	12V DC	FPM	0 - 12	34.6
129448	MVA.2.MS.24D.N.RZ.50	G 2	50	24V DC	NBR	0 - 12	34.6
129469	MVA.2.MS.12.N.RZ.50	G 2	50	12V DC	NBR	0 - 12	34.6



Dimensions

Thread	SW	H	H1	L1	L2	L3	L4
	mm	mm	mm	mm	mm	mm	mm
G 1 1/4	60	213.0	33.0	132.0	22.0	55.0	96.0
G 1 1/2	60	213.0	33.0	132.0	20.0	55.0	96.0
G 2	70	225.0	39.0	160.0	24.0	-	112.0

Druckverlust, K_V -Werte:
 Pressure loss, K_V -value:



Umrechnung:
 conversion: $C_v = K_V / 0,865$